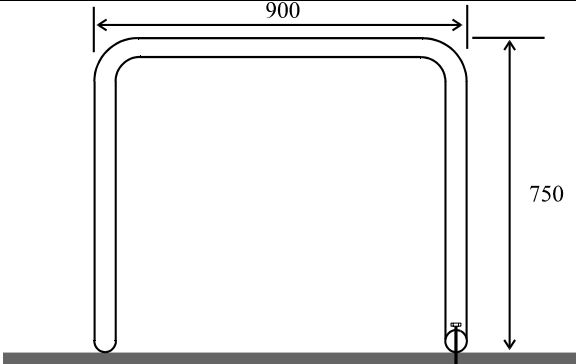
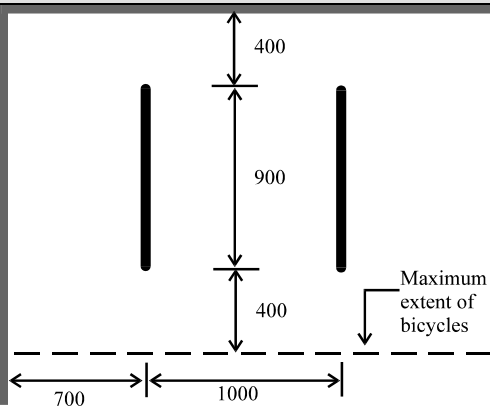
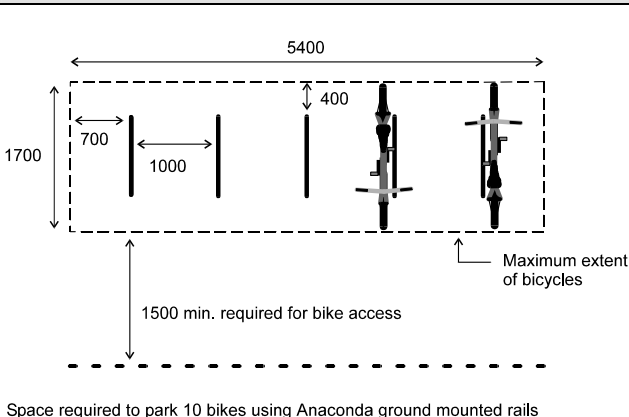
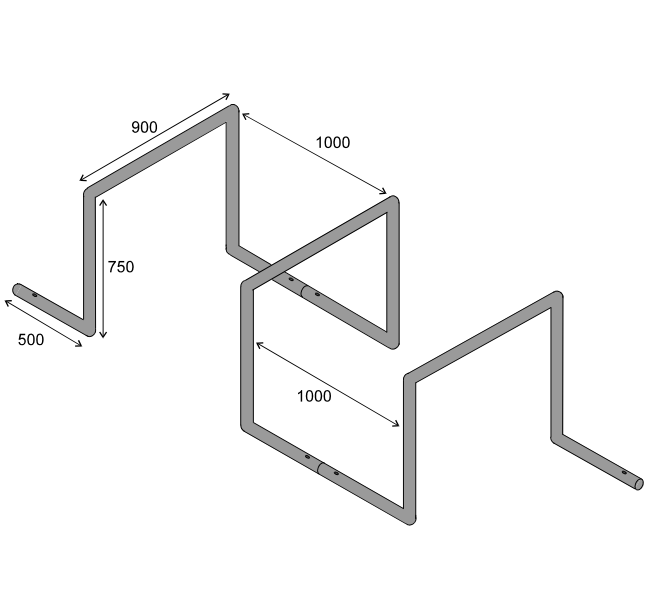
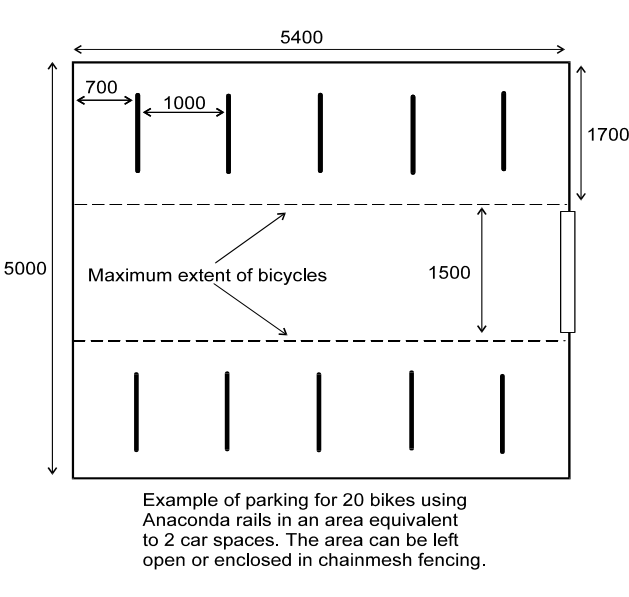


"Anaconda" Bicycle Parking Rail - Specifications	Dimensions
	<p>Height: 750mm Length: 900mm Weight: 9kg</p> <p>Fittings: 2 x M12x125mm Masonry Fasteners Joining Sleeve – 1 per 2 joined rails</p> <p>Please note: Fittings are optional, they are not included with rails.</p>

"Anaconda" Bicycle Parking Rail – Layout Guidelines	"Anaconda" Bicycle Parking Rail – Layout Guidelines
	 <p>Space required to park 10 bikes using Anaconda ground mounted rails</p>

Typical Application	Typical Application
	 <p>Example of parking for 20 bikes using Anaconda rails in an area equivalent to 2 car spaces. The area can be left open or enclosed in chainmesh fencing.</p>